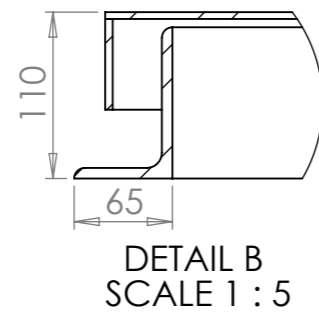
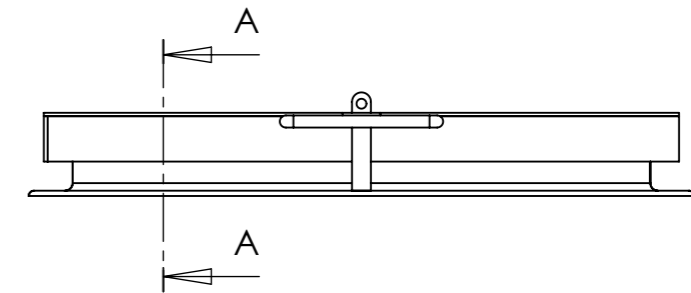
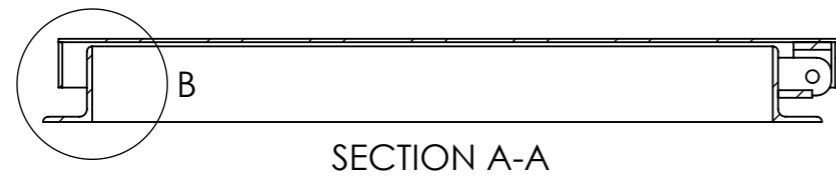
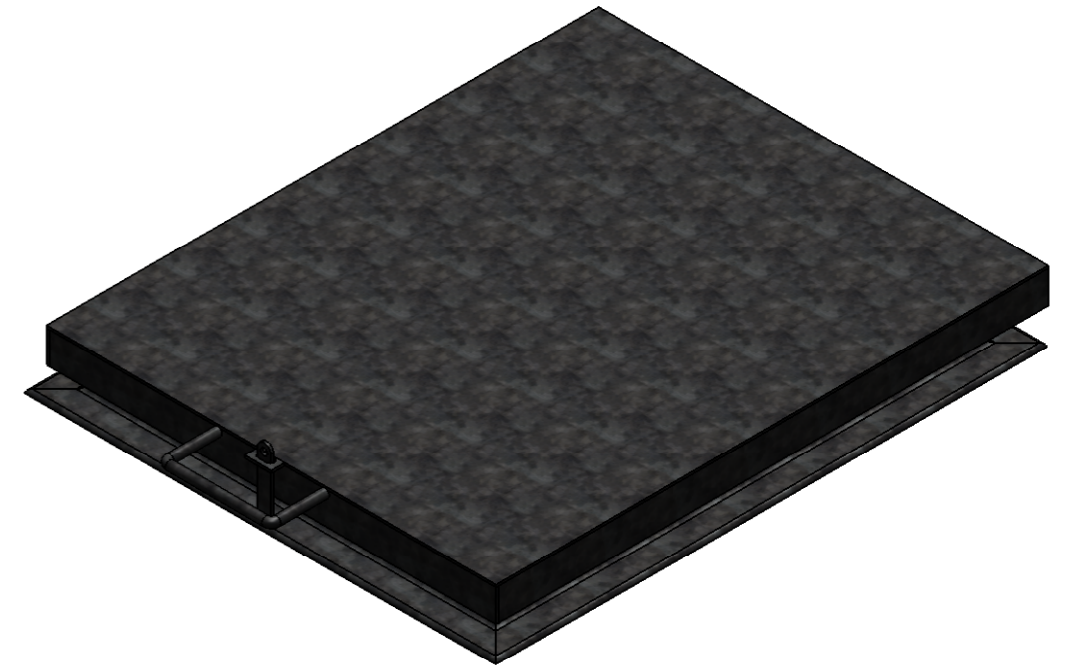
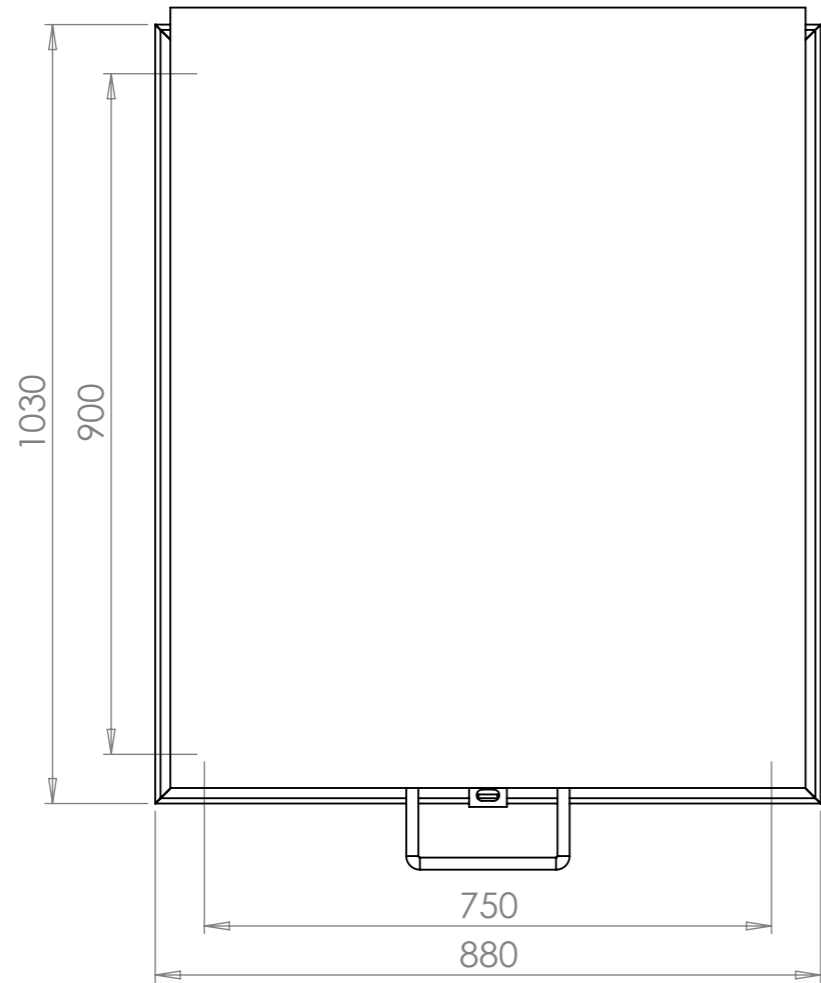


DWG. NO.
A148-90x75-Facta



Unit 3 Power Park, Towers Business Park, Rugeley, Staffs. WS15 1UZ
Telephone 01889 572620 Fax 01889 572629
Email sales@aquacastltd.com

Customer:



A3

Description: 900x750 Reservoir C&F

	Name	Date	Material:	Mild Steel
Drawn By:	Sandy Mcfie-Hyland	18/05/2009	Finish:	Galvanised Steel
Checked By:	Steve Hulse	18/05/2009	Loading:	Facta
Scale:	1:10		Weight(kg):	73.66