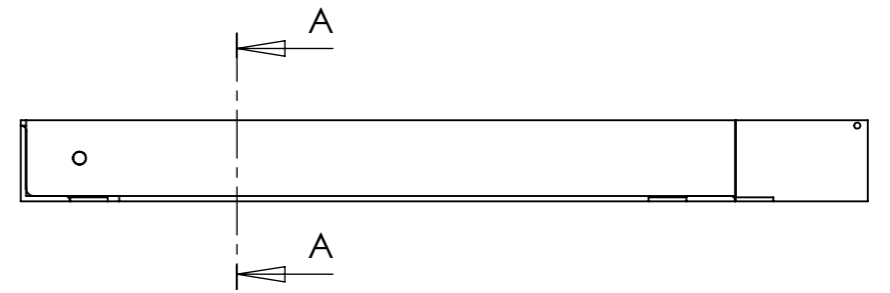
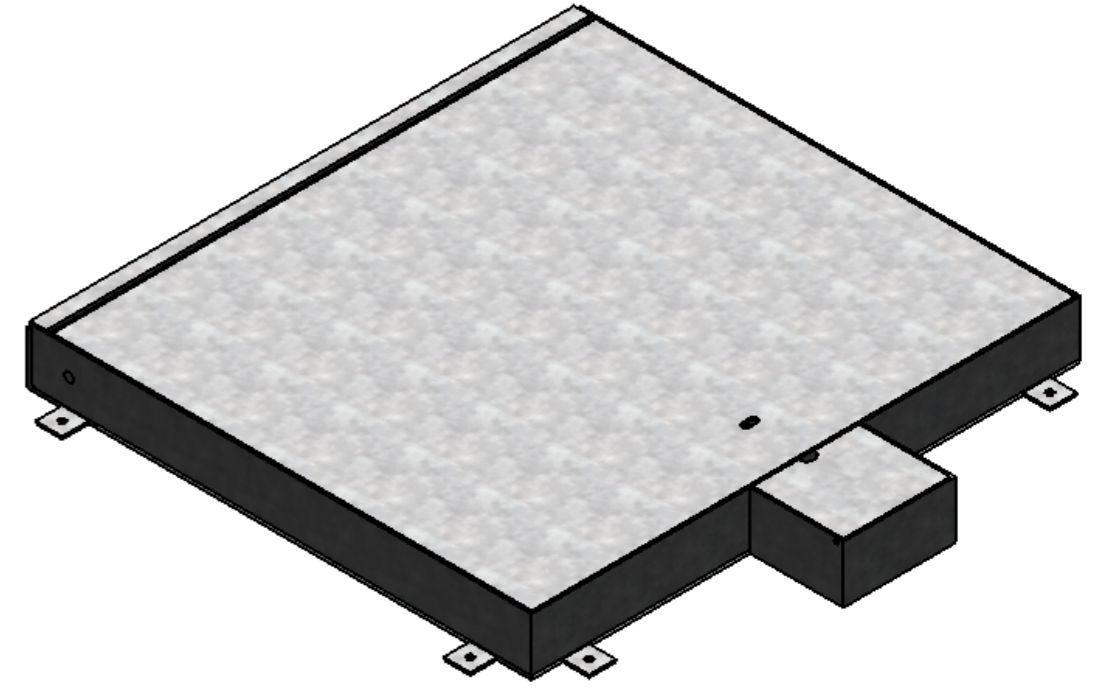


DWG. NO.
A505-90x75-Facta

DWG REF



Unit 3 Power Park, Towers Business Park, Rugeley, Staffs. WS15 1UZ
Telephone 01889 572620 Fax 01889 572629
Email sales@aquacastltd.com

Customer:



A3

Description: 900x750 Torsion Spring C&F Facta

	Name	Date	Material:	Mild Steel
Drawn By:	Sandy Mcfie-Hyland	26/10/2009	Finish:	Galvanised Steel
Checked By:	Steve Hulse	26/10/2009	Loading:	Facta
Scale:	1:10		Weight(kg):	100.14