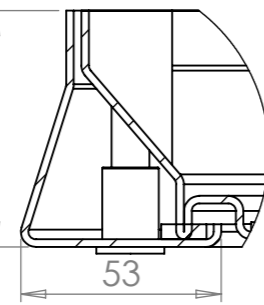
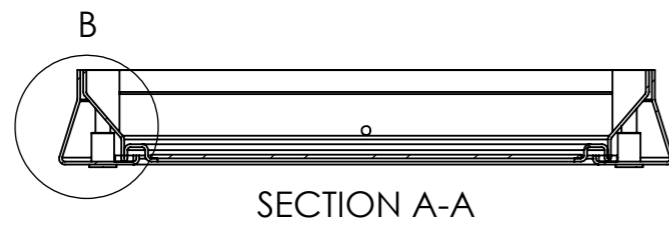
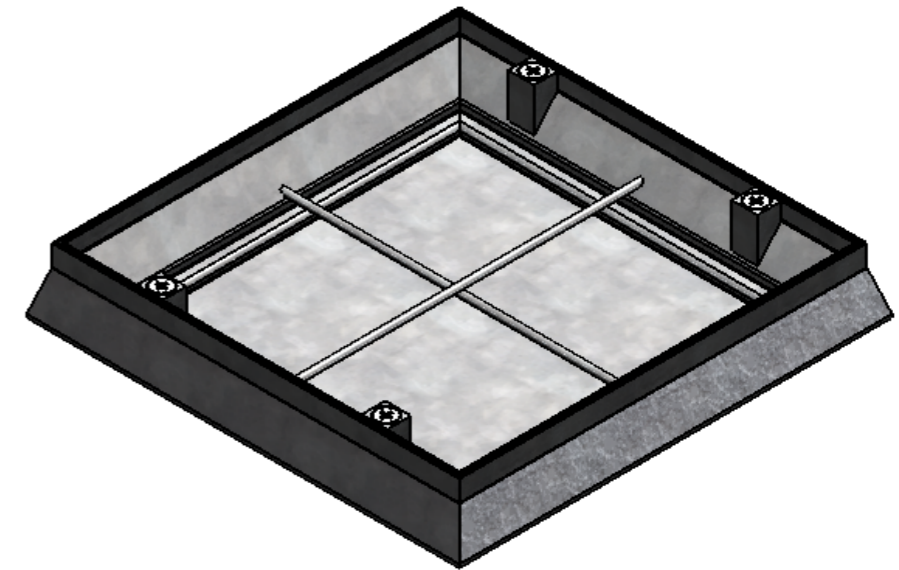
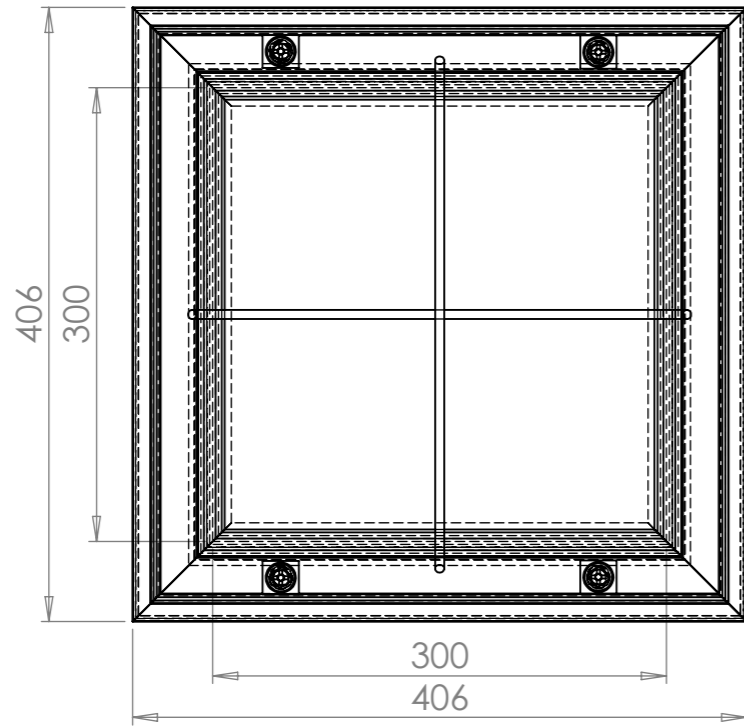
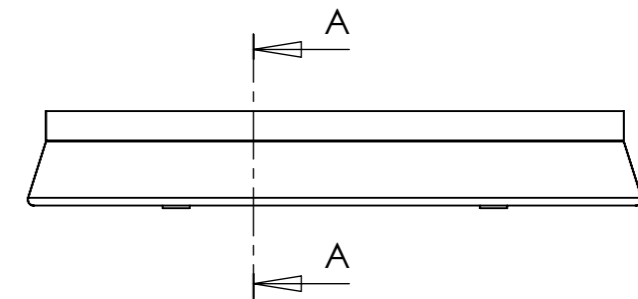


**DWG. NO.**

A311-30/30-Facta



DETAIL B  
SCALE 1 : 2



Unit 3 Power Park, Towers Business Park, Rugeley, Staffs. WS15 1UZ  
Telephone 01889 572620 Fax 01889 572629  
Email sales@aquacastltd.com

Customer:



**A3**

Description: 300x300 Single Seal Rec'd Tray Type

	Name	Date	Material:	Mild Steel
Drawn By:	Sandy Mcfie-Hyland	07/04/2009	Finish:	Galvanised Steel
Checked By:	Steve Hulse	07/04/2009	Loading:	Facta
Scale:	1:5		Weight(kg):	7.57